

File name: \\EU.AECOM\NET.COM\EMIA\UK\IED\2\JOB\PR-289270_PROJECT_OPERA_ADDITIONAL_FEE\900_CAD_GIS\904_CE01_WIP\02_SHEETS\PR289270-ACM-XX-DR-CE-10-7001.DWG
 last saved by: NANU.BURNETT Last Plotter: 2019-03-14
 Project Management Initials: Designer: RL Checked: EOG Approved: EF ISO A1 594mm x 841mm
 Printed on Recycled Content Paper

NOTES

- THIS DRAWING IS TO BE READ IN CONJUNCTION WITH ALL OTHER RELEVANT ARCHITECTURAL AND ENGINEERING DRAWINGS. ANY DISCREPANCIES, ERRORS OR OMISSIONS TO BE BROUGHT TO THE ATTENTION OF THE DESIGNER.
- ALL DIMENSIONS TO BE CHECKED BY THE CONTRACTOR ON SITE PRIOR TO COMMENCEMENT OF WORKS.
- AECOM LIMITED TO BE INFORMED BY THE CONTRACTOR OF ANY DISCREPANCIES PRIOR TO THE COMMENCEMENT OF WORKS ON SITE.
- DIMENSIONS OF ALL BOUNDARIES AND ADJOINING ROADS TO BE CHECKED ON SITE PRIOR TO COMMENCEMENT OF WORKS.
- DO NOT SCALE. ALL MEASUREMENTS AND COORDINATES TO BE CHECKED ON SITE.



ISSUE/REVISION

I/R	DATE	DESCRIPTION
1	14.03.2019	ISSUED FOR PLANNING

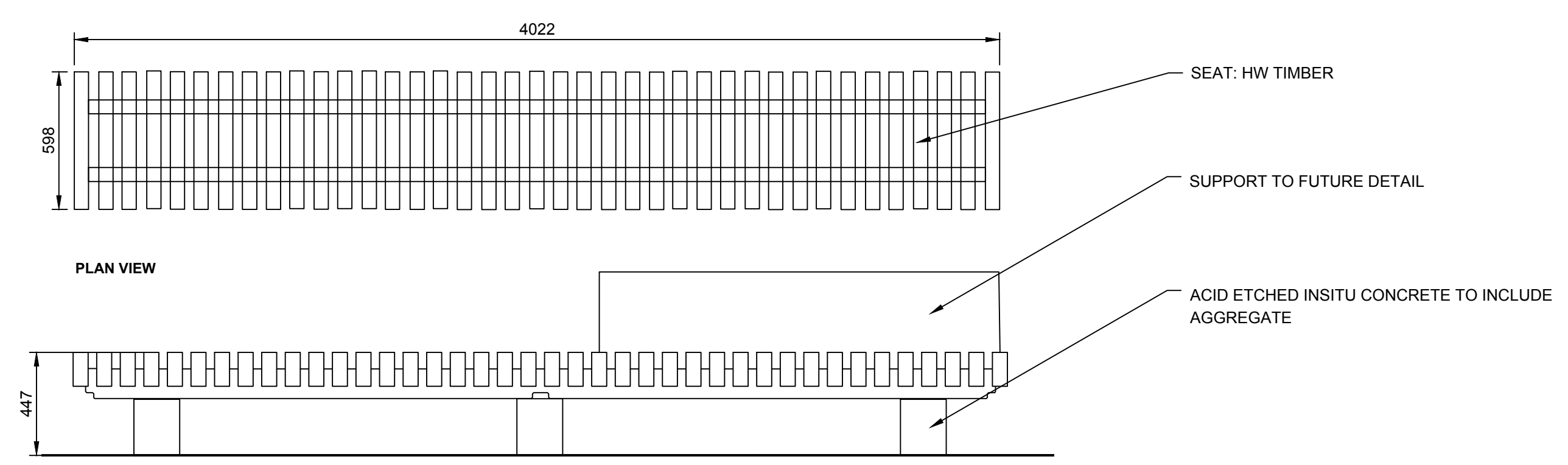
KEY PLAN

PROJECT NUMBER
60568520

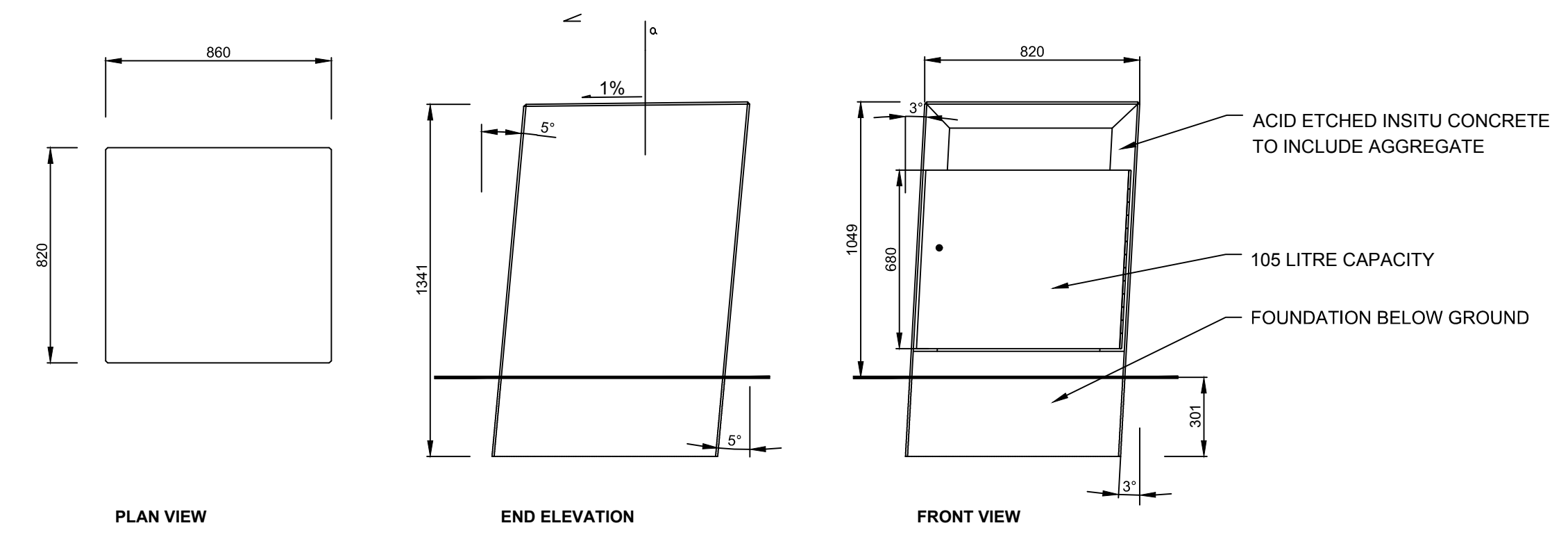
SHEET TITLE
PROJECT OPERA
LANDSCAPE DETAILS 2 OF 4

SHEET NUMBER

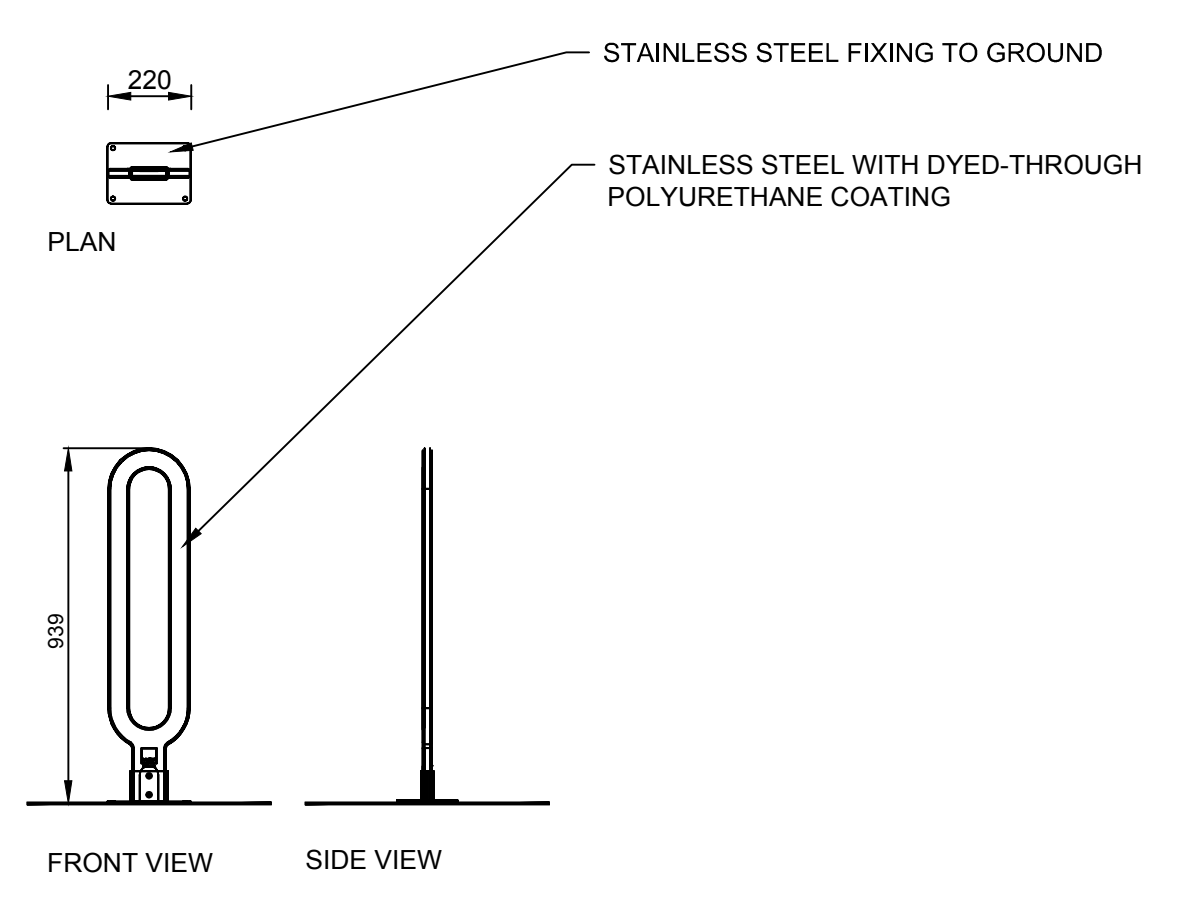
PR289270-ACM-XX-DR-CE-10-7002



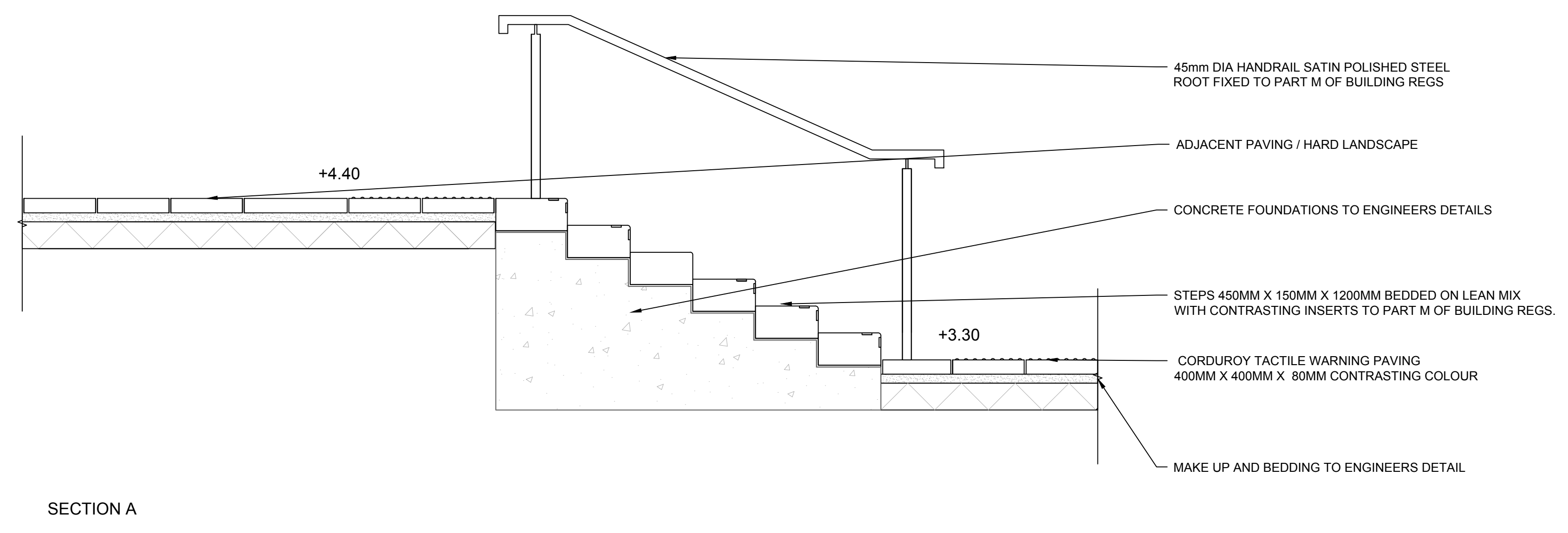
01 SF01: OPERA AND BANK PLACE BENCH
7001 1:20 @ A1



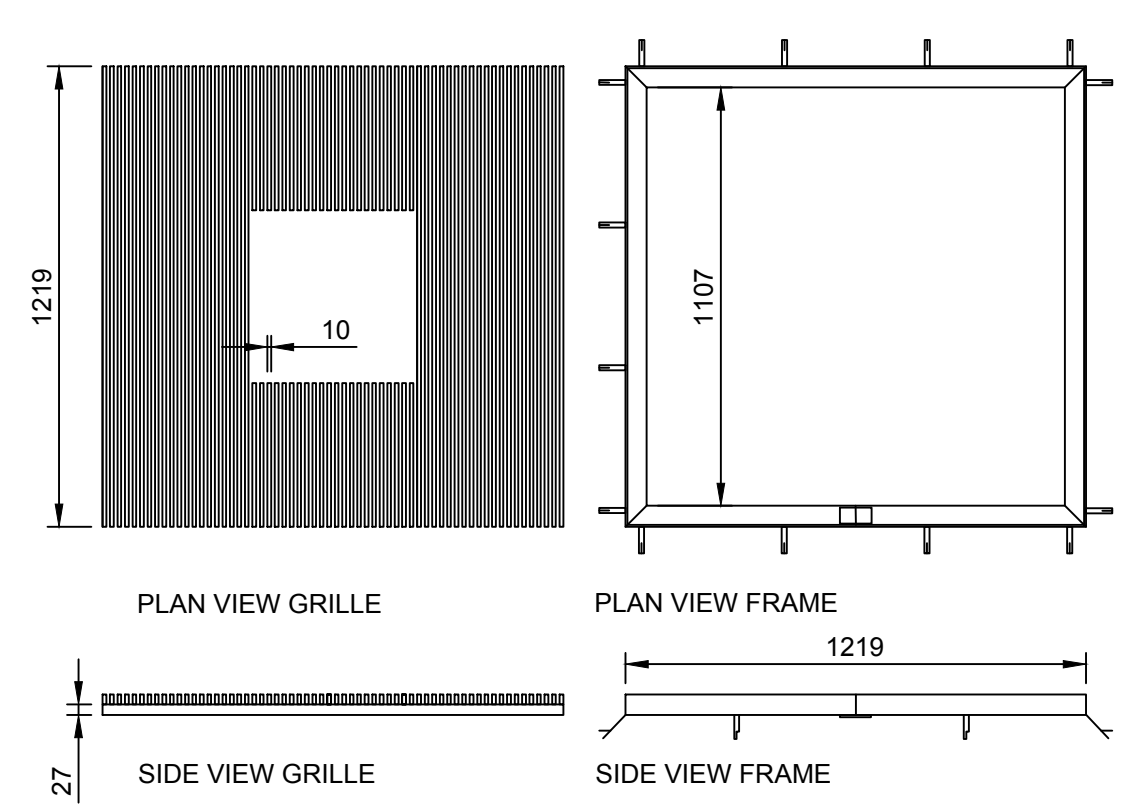
02 SF02: BIN
7001 Scale 1:20@A1



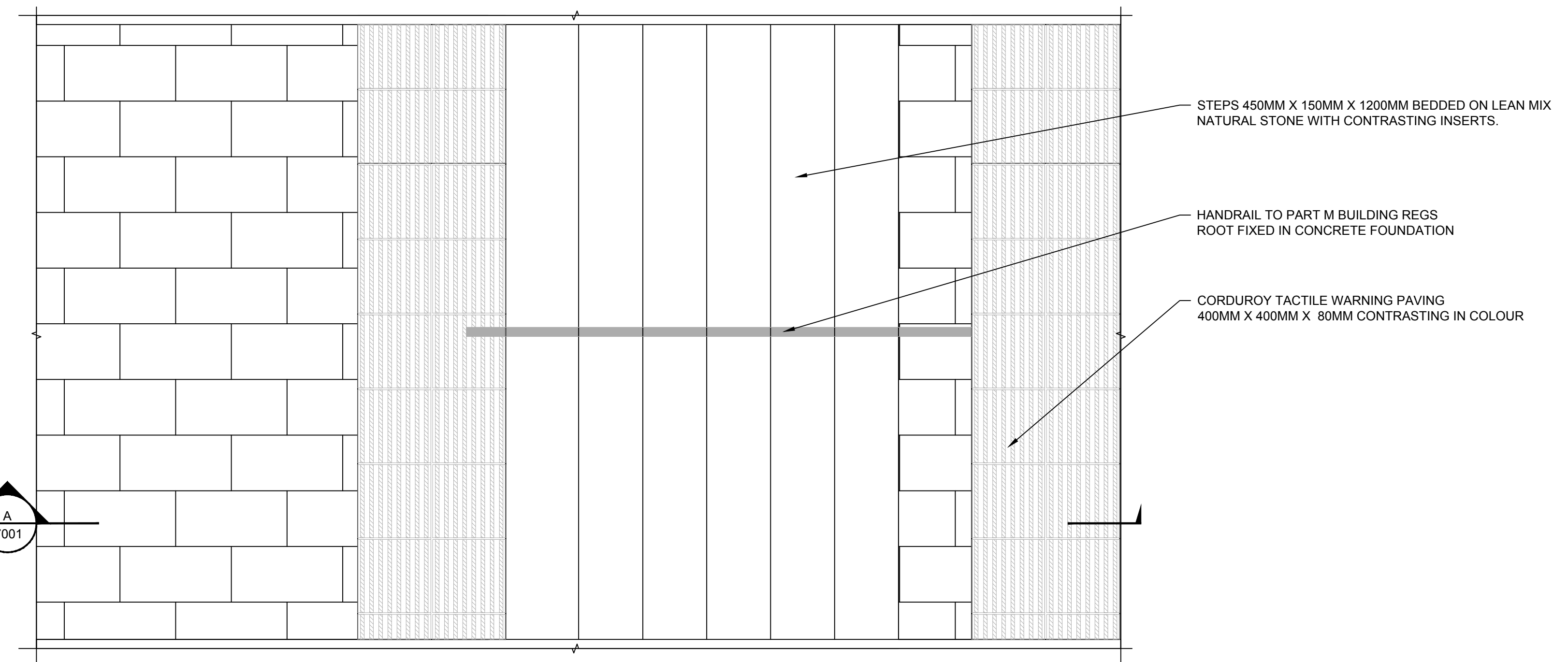
03 SF03 - BIKE STAND
7001 1:20 @ A1



SECTION A



04 SF04: TREE GRILLE
7001 1:20 @ A1



Plan of Surface

05 TYPICAL STEP / CORDUROY PAVING AT THE GRANARY PLACE
7001 Scale 1:20@A1

